

# Holt Integrated Circuits

## MIL-STD-1553 Transformers

**This page intentionally blank**

## Isolation Transformers – Surface Mount

### Dual Core, Single Ratio

| Part Number | Total Pins | Length inch. (mm) | Width inch. (mm)  | Height inch. (mm) | Core(s) Ratio(s) Ratio (±3%) | 1 <sup>st</sup> Core Terminals | 2 <sup>nd</sup> Core Terminals | Schematic/ Package |
|-------------|------------|-------------------|-------------------|-------------------|------------------------------|--------------------------------|--------------------------------|--------------------|
| PM-DB2750   | 16         | 0.93<br>(23.622)  | 0.575<br>(14.605) | 0.185<br>(4.699)  | 1:2.70                       | 1-3:15-14                      | 6-8:11-10                      | 13/AB              |
| PM-DB2751   | 16         | 0.93<br>(23.622)  | 0.575<br>(14.605) | 0.185<br>(4.699)  | 1:3.75                       | 1-3:16-13                      | 6-8:12-9                       | 14/AB              |
| PM-DB2752   | 16         | 0.93<br>(23.622)  | 0.575<br>(14.605) | 0.185<br>(4.699)  | 1:2.70                       | 1-3:15-14                      | 6-8:11-10                      | 13/AB              |
| PM-DB2753   | 16         | 0.93<br>(23.622)  | 0.575<br>(14.605) | 0.185<br>(4.699)  | 1:3.75                       | 1-3:16-13                      | 6-8:12-9                       | 14/AB              |
| PM-DB2754   | 16         | 0.93<br>(23.622)  | 0.575<br>(14.605) | 0.185<br>(4.699)  | 1:2.07                       | 1-3:15-14                      | 6-8:11-10                      | 13/AB              |
| PM-DB2756   | 16         | 0.93<br>(23.622)  | 0.575<br>(14.605) | 0.185<br>(4.699)  | 1:2.5                        | 1-3:15-14                      | 6-8:11-10                      | 13/AB              |
| PM-DB2761   | 10         | 0.4<br>(10.16)    | 0.4<br>(10.16)    | 0.32<br>(8.128)   | 1:3.75                       | 1-2:10-9                       | 4-5:7-6                        | 12/AA              |
| PM-DB2762   | 10         | 0.4<br>(10.16)    | 0.4<br>(10.16)    | 0.32<br>(8.128)   | 1:2.5                        | 1-2:10-9                       | 4-5:7-6                        | 12/AA              |
| PM-DB2763   | 10         | 0.4<br>(10.16)    | 0.4<br>(10.16)    | 0.32<br>(8.128)   | 1.25:1                       | 1-2:10-9                       | 4-5:7-6                        | 12/AA              |
| PM-DB2765   | 10         | 0.4<br>(10.16)    | 0.4<br>(10.16)    | 0.32<br>(8.128)   | 1:2.70                       | 1-2:10-9                       | 4-5:7-6                        | 12/AA              |
| PM-DB2766   | 10         | 0.4<br>(10.16)    | 0.4<br>(10.16)    | 0.32<br>(8.128)   | 1:1.79                       | 1-2:10-9                       | 4-5:7-6                        | 12/AA              |
| PM-DB2767   | 10         | 0.4<br>(10.16)    | 0.4<br>(10.16)    | 0.32<br>(8.128)   | 1.66:1                       | 1-2:10-9                       | 4-5:7-6                        | 12/AA              |
| PM-DB2768   | 10         | 0.4<br>(10.16)    | 0.4<br>(10.16)    | 0.32<br>(8.128)   | 2.00:1                       | 1-2:10-9                       | 4-5:7-6                        | 12/AA              |
| PM-DB2769   | 10         | 0.4<br>(10.16)    | 0.4<br>(10.16)    | 0.32<br>(8.128)   | 1:2.038                      | 1-2:10-9                       | 4-5:7-6                        | 12/AA              |
| PM-DB2770   | 10         | 0.4<br>(10.16)    | 0.4<br>(10.16)    | 0.32<br>(8.128)   | 1:2.69                       | 1-2:10-9                       | 4-5:7-6                        | 12/AA              |

### Dual Core, Dual Ratio

| Part Number | Total Pins | Length inch. (mm) | Width inch. (mm) | Height inch. (mm) | Core(s) Ratio(s) Ratio (±3%) | 1 <sup>st</sup> Core Terminals | 2 <sup>nd</sup> Core Terminals | Schematic/ Package |
|-------------|------------|-------------------|------------------|-------------------|------------------------------|--------------------------------|--------------------------------|--------------------|
| PM-DB2785S  | 16         | 0.93<br>(23.622)  | 0.63<br>(16.002) | 0.155<br>(3.937)  | 1:2.5<br>1:1.79              | 1-3:16-13<br>1-3:15-14         | 5-7:12-9<br>5-7:11-10          | 6/S                |
| PM-DB2741S  | 16         | 0.93<br>(23.622)  | 0.63<br>(16.002) | 0.155<br>(3.937)  | 1:1<br>1:0.707               | 1-3:16-13<br>5-7:12-9          | 1-3:15-14<br>5-7:11-10         | 6/S                |
| PM-DB2743S  | 16         | 0.93<br>(23.622)  | 0.63<br>(16.002) | 0.155<br>(3.937)  | 1.25:1<br>1.66:1             | 1-3:16-13<br>5-7:12-9          | 1-3:15-14<br>5-7:11-10         | 6/S                |
| PM-DB2744S  | 16         | 0.93<br>(23.622)  | 0.63<br>(16.002) | 0.155<br>(3.937)  | 1:2.12<br>1:1.5              | 1-3:16-13<br>5-7:12-9          | 1-3:15-14<br>5-7:11-10         | 6/S                |
| PM-DB2745S  | 16         | 0.93<br>(23.622)  | 0.63<br>(16.002) | 0.155<br>(3.937)  | 1:2.5<br>1:1.79              | 1-3:16-13<br>5-7:12-9          | 1-3:15-14<br>5-7:11-10         | 6/S                |
| PM-DB2775   | 16         | 0.675<br>(17.145) | 0.4<br>(10.16)   | 0.185<br>(4.699)  | 1:3.75<br>1:2.70             | 1-3:16-13<br>1-3:15-14         | 6-8:12-9<br>6-8:11-10          | 15/AC              |
| PM-DB2776   | 16         | 0.675<br>(17.145) | 0.4<br>(10.16)   | 0.185<br>(4.699)  | 1:2.5<br>1:1.79              | 1-3:16-13<br>1-3:15-14         | 6-8:12-9<br>6-8:11-10          | 15/AC              |
| PM-DB2777   | 16         | 0.675<br>(17.145) | 0.4<br>(10.16)   | 0.185<br>(4.699)  | 1.25:1<br>1.66:1             | 1-3:16-13<br>1-3:15-14         | 6-8:12-9<br>6-8:11-10          | 15/AC              |

### Single Core, Single Ratio

| Part Number | Total Pins | Length inch. (mm) | Width inch. (mm) | Height inch. (mm) | Core(s) Ratio(s) Ratio (±3%) | 1 <sup>st</sup> Core Terminals | 2 <sup>nd</sup> Core Terminals | Schematic/ Package |
|-------------|------------|-------------------|------------------|-------------------|------------------------------|--------------------------------|--------------------------------|--------------------|
| PM-DB2790S  | 8          | 0.4<br>(10.16)    | 0.4<br>(10.16)   | 0.185<br>(4.699)  | 1:3.75                       | 1-3:4-8                        | ---                            | 9/V                |
| PM-DB2791S  | 8          | 0.4<br>(10.16)    | 0.4<br>(10.16)   | 0.185<br>(4.699)  | 1:2.5                        | 1-3:4-8                        | ---                            | 9/V                |
| PM-DB2795S  | 8          | 0.4<br>(10.16)    | 0.4<br>(10.16)   | 0.185<br>(4.699)  | 1:1.79                       | 1-3:5-7                        | ---                            | 10/V               |

**Single Core, Dual Ratio**

| Part Number | Total Pins | Length inch. (mm) | Width inch. (mm)  | Height inch. (mm) | Core(s) Ratio(s) Ratio (±3%) | 1 <sup>st</sup> Core Terminals | 2 <sup>nd</sup> Core Terminals | Schematic/ Package |
|-------------|------------|-------------------|-------------------|-------------------|------------------------------|--------------------------------|--------------------------------|--------------------|
| PM-DB2711   | 8          | 0.625<br>(15.875) | 0.625<br>(15.875) | 0.254<br>(6.4516) | 1:1<br>1:0.707               | 1-3:4-8<br>1-3:5-7             | ---                            | 1/D                |
| PM-DB2713   | 8          | 0.625<br>(15.875) | 0.625<br>(15.875) | 0.254<br>(6.4516) | 1.25:1<br>1.66:1             | 1-3:4-8<br>1-3:5-7             | ---                            | 1/D                |
| PM-DB2714   | 8          | 0.625<br>(15.875) | 0.625<br>(15.875) | 0.254<br>(6.4516) | 2.3:1<br>3.2:1               | 4-8:1-3<br>5-7:1-3             | ---                            | 4/D                |
| PM-DB2715   | 8          | 0.625<br>(15.875) | 0.625<br>(15.875) | 0.254<br>(6.4516) | 1:2.12<br>1:1.5              | 1-3:4-8<br>1-3:5-7             | ---                            | 1/D                |
| PM-DB2727   | 8          | 0.625<br>(15.875) | 0.625<br>(15.875) | 0.254<br>(6.4516) | 1:2.5<br>1:1.79              | 1-3:4-8<br>1-3:5-7             | ---                            | 1/D                |
| PM-DB2798S  | 8          | 0.4<br>(10.16)    | 0.4<br>(10.16)    | 0.185<br>(4.699)  | 1:2.5<br>1:1.79              | 1-3:4-8<br>1-3:5-7             | ---                            | 11/V               |
| PM-DB2741L  | 8          | 0.63<br>(16.002)  | 0.63<br>(16.002)  | 0.155<br>(3.937)  | 1:1<br>1:0.707               | 1-3:4-8<br>1-3:5-7             | ---                            | 1/L                |
| PM-DB2743L  | 8          | 0.63<br>(16.002)  | 0.63<br>(16.002)  | 0.155<br>(3.937)  | 1.25:1<br>1.66:1             | 1-3:4-8<br>1-3:5-7             | ---                            | 1/L                |
| PM-DB2744L  | 8          | 0.63<br>(16.002)  | 0.63<br>(16.002)  | 0.155<br>(3.937)  | 1:2.12<br>1:1.5              | 1-3:4-8<br>1-3:5-7             | ---                            | 1/L                |
| PM-DB2745L  | 8          | 0.63<br>(16.002)  | 0.63<br>(16.002)  | 0.155<br>(3.937)  | 1:2.5<br>1:1.79              | 1-3:4-8<br>1-3:5-7             | ---                            | 1/L                |

## Isolation Transformers – Through Hole

### Dual Core, Dual Ratio

| Part Number | Total Pins | Length inch. (mm) | Width inch. (mm)  | Height inch. (mm) | Core(s) Ratio(s) Ratio (±3%) | 1 <sup>st</sup> Core Terminals | 2 <sup>nd</sup> Core Terminals | Schematic/ Package |
|-------------|------------|-------------------|-------------------|-------------------|------------------------------|--------------------------------|--------------------------------|--------------------|
| PM-DB2741D  | 16         | 0.93<br>(23.622)  | 0.63<br>(16.002)  | 0.155<br>(3.937)  | 1:1<br>1:0.707               | 1-3:16-13<br>1-3:15-14         | 5-7:12-9<br>5-7:11-10          | 6/R                |
| PM-DB2743D  | 16         | 0.93<br>(23.622)  | 0.63<br>(16.002)  | 0.155<br>(3.937)  | 1.25:1<br>1.66:1             | 1-3:16-13<br>1-3:15-14         | 5-7:12-9<br>5-7:11-10          | 6/R                |
| PM-DB2744D  | 16         | 0.93<br>(23.622)  | 0.63<br>(16.002)  | 0.155<br>(3.937)  | 1:2.12<br>1:1.5              | 1-3:16-13<br>1-3:15-14         | 5-7:12-9<br>5-7:11-10          | 6/R                |
| PM-DB2745D  | 16         | 0.93<br>(23.622)  | 0.63<br>(16.002)  | 0.155<br>(3.937)  | 1:2.5<br>1:1.79              | 1-3:16-13<br>1-3:15-14         | 5-7:12-9<br>5-7:11-10          | 6/R                |
| PM-DB27401  | 18         | 0.625<br>(15.875) | 0.625<br>(15.875) | 0.25<br>(6.35)    | 2:5<br>4:7                   | 1-3:4-8<br>1-3:5-7             | 11-13:14-18<br>11-13:15-17     | 7/H                |
| PM-DB27402  | 18         | 0.625<br>(15.875) | 0.625<br>(15.875) | 0.25<br>(6.35)    | 1:0.83<br>1:0.6              | 1-3:4-8<br>1-3:5-7             | 11-13:14-18<br>11-13:15-17     | 7/H                |
| PM-DB27404  | 18         | 0.625<br>(15.875) | 0.625<br>(15.875) | 0.25<br>(6.35)    | 1:1<br>1:0.707               | 1-3:4-8<br>1-3:5-7             | 11-13:14-18<br>11-13:15-17     | 7/H                |
| PM-DB27405  | 18         | 0.625<br>(15.875) | 0.625<br>(15.875) | 0.25<br>(6.35)    | 1.25:1<br>1.66:1             | 1-3:4-8<br>1-3:5-7             | 11-13:14-18<br>11-13:15-17     | 7/H                |
| PM-DB27406  | 18         | 0.625<br>(15.875) | 0.625<br>(15.875) | 0.25<br>(6.35)    | 2.3:1<br>3.2:1               | 4-8:1-3<br>5-7:1-3             | 14-18:11-13<br>15-17:11-13     | 8/H                |
| PM-DB27407  | 18         | 0.625<br>(15.875) | 0.625<br>(15.875) | 0.25<br>(6.35)    | 2.12:1<br>1.5:1              | 4-8:1-3<br>5-7:1-3             | 14-18:11-13<br>15-17:11-13     | 7/H                |
| PM-DB27408  | 18         | 0.625<br>(15.875) | 0.625<br>(15.875) | 0.25<br>(6.35)    | 1:2.5<br>1:1.79              | 1-3:4-8<br>1-3:5-7             | 11-13:14-18<br>11-13:15-17     | 7/H                |
| PM-DB27421  | 18         | 0.625<br>(15.875) | 0.625<br>(15.875) | 0.28<br>(7.112)   | 2:5<br>4:7                   | 1-3:4-8<br>1-3:5-7             | 11-13:14-18<br>11-13:15-17     | 7/H                |
| PM-DB27422  | 18         | 0.625<br>(15.875) | 0.625<br>(15.875) | 0.28<br>(7.112)   | 1:0.83<br>1:0.6              | 1-3:4-8<br>1-3:5-7             | 11-13:14-18<br>11-13:15-17     | 7/H                |
| PM-DB27424  | 18         | 0.625<br>(15.875) | 0.625<br>(15.875) | 0.28<br>(7.112)   | 1:1<br>1:0.707               | 1-3:4-8<br>1-3:5-7             | 11-13:14-18<br>11-13:15-17     | 7/H                |
| PM-DB27425  | 18         | 0.625<br>(15.875) | 0.625<br>(15.875) | 0.28<br>(7.112)   | 1.25:1<br>1.66:1             | 1-3:4-8<br>1-3:5-7             | 11-13:14-18<br>11-13:15-17     | 7/H                |
| PM-DB27426  | 18         | 0.625<br>(15.875) | 0.625<br>(15.875) | 0.28<br>(7.112)   | 2.3:1<br>3.2:1               | 4-8:1-3<br>5-7:1-3             | 14-18:11-13<br>15-17:11-13     | 8/H                |
| PM-DB27427  | 18         | 0.625<br>(15.875) | 0.625<br>(15.875) | 0.28<br>(7.112)   | 2.12:1<br>1.5:1              | 4-8:1-3<br>5-7:1-3             | 14-18:11-13<br>15-17:11-13     | 7/H                |
| PM-DB27428  | 18         | 0.625<br>(15.875) | 0.625<br>(15.875) | 0.28<br>(7.112)   | 1:2.5<br>1:1.79              | 1-3:4-8<br>1-3:5-7             | 11-13:14-18<br>11-13:15-17     | 7/H                |
| PM-DB27411  | 18         | 0.625<br>(15.875) | 0.625<br>(15.875) | 0.32<br>(8.128)   | 2:5<br>4:7                   | 1-3:4-8<br>1-3:5-7             | 11-13:14-18<br>11-13:15-17     | 7/H                |
| PM-DB27412  | 18         | 0.625<br>(15.875) | 0.625<br>(15.875) | 0.32<br>(8.128)   | 1:0.83<br>1:0.6              | 1-3:4-8<br>1-3:5-7             | 11-13:14-18<br>11-13:15-17     | 7/H                |
| PM-DB27414  | 18         | 0.625<br>(15.875) | 0.625<br>(15.875) | 0.32<br>(8.128)   | 1:1<br>1:0.707               | 1-3:4-8<br>1-3:5-7             | 11-13:14-18<br>11-13:15-17     | 7/H                |

| Part Number | Total Pins | Length inch. (mm) | Width inch. (mm)  | Height inch. (mm) | Core(s) Ratio(s) Ratio ( $\pm 3\%$ ) | 1 <sup>st</sup> Core Terminals | 2 <sup>nd</sup> Core Terminals | Schematic/ Package |
|-------------|------------|-------------------|-------------------|-------------------|--------------------------------------|--------------------------------|--------------------------------|--------------------|
| PM-DB27415  | 18         | 0.625<br>(15.875) | 0.625<br>(15.875) | 0.32<br>(8.128)   | 1.25:1<br>1.66:1                     | 1-3:4-8<br>1-3:5-7             | 11-13:14-18<br>11-13:15-17     | 7/H                |
| PM-DB27416  | 18         | 0.625<br>(15.875) | 0.625<br>(15.875) | 0.32<br>(8.128)   | 2.3:1<br>3.2:1                       | 4-8:1-3<br>5-7:1-3             | 14-18:11-13<br>15-17:11-13     | 8/H                |
| PM-DB27417  | 18         | 0.625<br>(15.875) | 0.625<br>(15.875) | 0.32<br>(8.128)   | 2.12:1<br>1.5:1                      | 4-8:1-3<br>5-7:1-3             | 14-18:11-13<br>15-17:11-13     | 7/H                |
| PM-DB27418  | 18         | 0.625<br>(15.875) | 0.625<br>(15.875) | 0.32<br>(8.128)   | 1:2.5<br>1:1.79                      | 1-3:4-8<br>1-3:5-7             | 11-13:14-18<br>11-13:15-17     | 7/H                |

### Single Core, Single Ratio

| Part Number              | Total Pins | Length inch. (mm) | Width inch. (mm) | Height inch. (mm) | Core(s) Ratio(s) Ratio ( $\pm 3\%$ ) | 1 <sup>st</sup> Core Terminals | 2 <sup>nd</sup> Core Terminals | Schematic/ Package |
|--------------------------|------------|-------------------|------------------|-------------------|--------------------------------------|--------------------------------|--------------------------------|--------------------|
| PM-DB2706                | 6          | 0.35<br>(8.89)    | 0.5<br>(12.7)    | 0.25<br>(6.35)    | 1:1                                  | 1-5:6-2                        | ---                            | 2/B                |
| PM-DB2708                | 6          | 0.35<br>(8.89)    | 0.5<br>(12.7)    | 0.25<br>(6.35)    | 1:1.66                               | 1-5:6-2                        | ---                            | 2/B                |
| PM-DB2709                | 6          | 0.35<br>(8.89)    | 0.5<br>(12.7)    | 0.25<br>(6.35)    | 1:2                                  | 1-5:6-2                        | ---                            | 2/B                |
| PM-DB2728                | 6          | 0.35<br>(8.89)    | 0.5<br>(12.7)    | 0.25<br>(6.35)    | 1:1.5                                | 1-5:6-2                        | ---                            | 2/B                |
| PM-DB2729                | 6          | 0.35<br>(8.89)    | 0.5<br>(12.7)    | 0.25<br>(6.35)    | 1:1.79                               | 1-5:6-2                        | ---                            | 2/B                |
| PM-DB2730                | 6          | 0.35<br>(8.89)    | 0.5<br>(12.7)    | 0.25<br>(6.35)    | 1:2.5                                | 1-5:6-2                        | ---                            | 2/B                |
| PM-DB2759 <sup>(1)</sup> | 6          | 0.35<br>(8.89)    | 0.5<br>(12.7)    | 0.182<br>(4.6228) | 1:1.79                               | 1-5:6-2                        | ---                            | 2/U                |
| PM-DB2760 <sup>(1)</sup> | 6          | 0.35<br>(8.89)    | 0.5<br>(12.7)    | 0.182<br>(4.6228) | 1:2.5                                | 1-5:6-2                        | ---                            | 2/U                |

(1) Operating Temperature Range from -40°C to +130°C

**Single Core, Dual Ratio**

| Part Number | Total Pins | Length inch. (mm) | Width inch. (mm)  | Height inch. (mm) | Core(s) Ratio(s) Ratio (±3%) | 1 <sup>st</sup> Core Terminals | 2 <sup>nd</sup> Core Terminals | Schematic/ Package |
|-------------|------------|-------------------|-------------------|-------------------|------------------------------|--------------------------------|--------------------------------|--------------------|
| PM-DB2701   | 8          | 0.625<br>(15.875) | 0.625<br>(15.875) | 0.25<br>(6.35)    | 1:1<br>1:0.707               | 1-3:4-8<br>1-3:5-7             | ---                            | 1/A                |
| PM-DB2701EX | 8          | 0.4<br>(10.16)    | 0.4<br>(10.16)    | 0.26<br>(6.604)   | 1:1<br>1:0.707               | 1-3:4-8<br>1-3:5-7             | ---                            | 1/G                |
| PM-DB2703   | 8          | 0.625<br>(15.875) | 0.625<br>(15.875) | 0.25<br>(6.35)    | 1.25:1<br>1.66:1             | 1-3:4-8<br>1-3:5-7             | ---                            | 1/A                |
| PM-DB2704   | 8          | 0.625<br>(15.875) | 0.625<br>(15.875) | 0.25<br>(6.35)    | 2.3:1<br>3.2:1               | 4-8:1-3<br>5-7:1-3             | ---                            | 4/A                |
| PM-DB2710   | 8          | 0.625<br>(15.875) | 0.625<br>(15.875) | 0.25<br>(6.35)    | 1:2.12<br>1:1.5              | 1-3:4-8<br>1-3:5-7             | ---                            | 1/A                |
| PM-DB2721   | 8          | 0.625<br>(15.875) | 0.625<br>(15.875) | 0.25<br>(6.35)    | 1:1<br>1:0.707               | 1-3:4-8<br>1-3:5-7             | ---                            | 1/A                |
| PM-DB2723   | 8          | 0.625<br>(15.875) | 0.625<br>(15.875) | 0.25<br>(6.35)    | 1.25:1<br>1.66:1             | 1-3:4-8<br>1-3:5-7             | ---                            | 1/A                |
| PM-DB2724   | 8          | 0.625<br>(15.875) | 0.625<br>(15.875) | 0.25<br>(6.35)    | 1:2.12<br>1:1.5              | 1-3:4-8<br>1-3:5-7             | ---                            | 1/A                |
| PM-DB2725   | 8          | 0.625<br>(15.875) | 0.625<br>(15.875) | 0.25<br>(6.35)    | 1:2.5<br>1:1.79              | 1-3:4-8<br>1-3:5-7             | ---                            | 1/A                |
| PM-DB2725EX | 8          | 0.4<br>(10.16)    | 0.4<br>(10.16)    | 0.26<br>(6.604)   | 1:2.5<br>1:1.79              | 1-3:4-8<br>1-3:5-7             | ---                            | 1/G                |
| PM-DB2726   | 8          | 0.625<br>(15.875) | 0.625<br>(15.875) | 0.25<br>(6.35)    | 1:2.5<br>1:1.79              | 1-3:4-8<br>1-3:5-7             | ---                            | 1/A                |
| PM-DB2755   | 8          | 0.4<br>(10.16)    | 0.4<br>(10.16)    | 0.26<br>(6.604)   | 1:3.75<br>1:2.70             | 1-3:4-8<br>1-3:5-7             | ---                            | 1/G                |
| PM-DB27101  | 8          | 0.43<br>(10.922)  | 0.43<br>(10.922)  | 0.155<br>(3.937)  | 1:2.5<br>1:1.79              | 1-3:4-8<br>1-3:5-7             | ---                            | 1/W                |
| PM-DB2741   | 8          | 0.63<br>(16.002)  | 0.63<br>(16.002)  | 0.155<br>(3.937)  | 1:1<br>1:0.707               | 1-3:4-8<br>1-3:5-7             | ---                            | 1/K                |
| PM-DB2743   | 8          | 0.63<br>(16.002)  | 0.63<br>(16.002)  | 0.155<br>(3.937)  | 1.25:1<br>1.66:1             | 1-3:4-8<br>1-3:5-7             | ---                            | 1/K                |
| PM-DB2744   | 8          | 0.63<br>(16.002)  | 0.63<br>(16.002)  | 0.155<br>(3.937)  | 1:2.12<br>1:1.5              | 1-3:4-8<br>1-3:5-7             | ---                            | 1/K                |
| PM-DB2745   | 8          | 0.63<br>(16.002)  | 0.63<br>(16.002)  | 0.155<br>(3.937)  | 1:2.5<br>1:1.79              | 1-3:4-8<br>1-3:5-7             | ---                            | 1/K                |



## Isolation Transformers – Unformed Leads

### Dual Core, Dual Ratio

| Part Number | Total Pins | Length inch. (mm) | Width inch. (mm) | Height inch. (mm) | Core(s) Ratio(s) Ratio (±3%) | 1 <sup>st</sup> Core Terminals | 2 <sup>nd</sup> Core Terminals | Schematic/ Package |
|-------------|------------|-------------------|------------------|-------------------|------------------------------|--------------------------------|--------------------------------|--------------------|
| PM-DB27200  | 16         | 0.93<br>(23.622)  | 0.43<br>(10.922) | 0.155<br>(3.937)  | 1:2.5<br>1:1.79              | 1-3:16-13<br>1-3:15-14         | 5-7:12-9<br>5-7:11-10          | 6/T                |
| PM-DB27255  | 16         | 0.93<br>(23.622)  | 0.63<br>(16.002) | 0.155<br>(3.937)  | 1:2.5<br>1:1.79              | 1-3:16-13<br>1-3:15-14         | 5-7:12-9<br>5-7:11-10          | 6/X                |
| PM-DB2741T  | 16         | 0.93<br>(23.622)  | 0.43<br>(10.922) | 0.155<br>(3.937)  | 1:1<br>1:0.707               | 1-3:16-13<br>1-3:15-14         | 5-7:12-9<br>5-7:11-10          | 6/T                |
| PM-DB2743T  | 16         | 0.93<br>(23.622)  | 0.43<br>(10.922) | 0.155<br>(3.937)  | 1.25:1<br>1.66:1             | 1-3:16-13<br>1-3:15-14         | 5-7:12-9<br>5-7:11-10          | 6/T                |
| PM-DB2744T  | 16         | 0.93<br>(23.622)  | 0.43<br>(10.922) | 0.155<br>(3.937)  | 1:2.12<br>1:1.5              | 1-3:16-13<br>1-3:15-14         | 5-7:12-9<br>5-7:11-10          | 6/T                |
| PM-DB2745T  | 16         | 0.93<br>(23.622)  | 0.43<br>(10.922) | 0.155<br>(3.937)  | 1:2.5<br>1:1.79              | 1-3:16-13<br>1-3:15-14         | 5-7:12-9<br>5-7:11-10          | 6/T                |

### Single Core, Dual Ratio

| Part Number | Total Pins | Length inch. (mm) | Width inch. (mm)  | Height inch. (mm) | Core(s) Ratio(s) Ratio (±3%) | 1 <sup>st</sup> Core Terminals | 2 <sup>nd</sup> Core Terminals | Schematic / Package |
|-------------|------------|-------------------|-------------------|-------------------|------------------------------|--------------------------------|--------------------------------|---------------------|
| PM-DB2716   | 8          | 0.625<br>(15.875) | 0.625<br>(15.875) | 0.25<br>(6.35)    | 1:1<br>1:0.707               | 1-3:4-8<br>1-3:5-7             | ---                            | 1/E                 |
| PM-DB2718   | 8          | 0.625<br>(15.875) | 0.625<br>(15.875) | 0.25<br>(6.35)    | 1.25:1<br>1.66:1             | 1-3:4-8<br>1-3:5-7             | ---                            | 1/E                 |
| PM-DB2719   | 8          | 0.625<br>(15.875) | 0.625<br>(15.875) | 0.25<br>(6.35)    | 2.3:1<br>3.26:1              | 4-8:1-3<br>5-7:1-3             | ---                            | 1/E                 |
| PM-DB2720   | 8          | 0.625<br>(15.875) | 0.625<br>(15.875) | 0.25<br>(6.35)    | 1:2.12<br>1:1.5              | 1-3:4-8<br>1-3:5-7             | ---                            | 1/E                 |
| PM-DB2731   | 8          | 0.625<br>(15.875) | 0.625<br>(15.875) | 0.25<br>(6.35)    | 1:2.5<br>1:1.79              | 1-3:4-8<br>1-3:5-7             | ---                            | 1/E                 |
| PM-DB27100  | 8          | 0.43<br>(10.922)  | 0.43<br>(10.922)  | 0.155<br>(3.937)  | 1:2.5<br>1:1.79              | 1-3:4-8<br>1-3:5-7             | ---                            | 1/M                 |
| PM-DB2741M  | 8          | 0.43<br>(10.922)  | 0.43<br>(10.922)  | 0.155<br>(3.937)  | 1:1<br>1:0.707               | 1-3:4-8<br>1-3:5-7             | ---                            | 1/M                 |
| PM-DB2743M  | 8          | 0.43<br>(10.922)  | 0.43<br>(10.922)  | 0.155<br>(3.937)  | 1.25:1<br>1.66:1             | 1-3:4-8<br>1-3:5-7             | ---                            | 1/M                 |
| PM-DB2744M  | 8          | 0.43<br>(10.922)  | 0.43<br>(10.922)  | 0.155<br>(3.937)  | 1:2.12<br>1:1.5              | 1-3:4-8<br>1-3:5-7             | ---                            | 1/M                 |
| PM-DB2745M  | 8          | 0.43<br>(10.922)  | 0.43<br>(10.922)  | 0.155<br>(3.937)  | 1:2.5<br>1:1.79              | 1-3:4-8<br>1-3:5-7             | ---                            | 1/M                 |
| PM-DB2741N  | 8          | 0.63<br>(16.002)  | 0.63<br>(16.002)  | 0.155<br>(3.937)  | 1:1<br>1:0.707               | 1-3:4-8<br>1-3:5-7             | ---                            | 1/N                 |

| Part Number | Total Pins | Length inch. (mm) | Width inch. (mm) | Height inch. (mm) | Core(s) Ratio(s) Ratio ( $\pm 3\%$ ) | 1 <sup>st</sup> Core Terminals | 2 <sup>nd</sup> Core Terminals | Schematic / Package |
|-------------|------------|-------------------|------------------|-------------------|--------------------------------------|--------------------------------|--------------------------------|---------------------|
| PM-DB2743N  | 8          | 0.63<br>(16.002)  | 0.63<br>(16.002) | 0.155<br>(3.937)  | 1.25:1<br>1.66:1                     | 1-3:4-8<br>1-3:5-7             | ---                            | 1/N                 |
| PM-DB2744N  | 8          | 0.63<br>(16.002)  | 0.63<br>(16.002) | 0.155<br>(3.937)  | 1:2.12<br>1:1.5                      | 1-3:4-8<br>1-3:5-7             | ---                            | 1/N                 |
| PM-DB2745N  | 8          | 0.63<br>(16.002)  | 0.63<br>(16.002) | 0.155<br>(3.937)  | 1:2.5<br>1:1.79                      | 1-3:4-8<br>1-3:5-7             | ---                            | 1/N                 |

## Coupling Transformers – Surface Mount

### Dual Core, Single Ratio

| Part Number | Total Pins | Length inch. (mm) | Width inch. (mm) | Height inch. (mm) | Core(s) Ratio(s) Ratio ( $\pm 3\%$ ) | 1 <sup>st</sup> Core Terminals | 2 <sup>nd</sup> Core Terminals | Schematic/ Package |
|-------------|------------|-------------------|------------------|-------------------|--------------------------------------|--------------------------------|--------------------------------|--------------------|
| PM-DB2764   | 10         | 0.4 (10.16)       | 0.4 (10.16)      | 0.32 (8.128)      | 1.41:1                               | 1-2:10-9                       | 4-5:7-6                        | 12/AA              |

### Dual Core, Dual Ratio

| Part Number | Total Pins | Length inch. (mm) | Width inch. (mm) | Height inch. (mm) | Core(s) Ratio(s) Ratio ( $\pm 3\%$ ) | 1 <sup>st</sup> Core Terminals | 2 <sup>nd</sup> Core Terminals | Schematic/ Package |
|-------------|------------|-------------------|------------------|-------------------|--------------------------------------|--------------------------------|--------------------------------|--------------------|
| PM-DB2742S  | 16         | 0.93 (23.622)     | 0.63 (16.002)    | 0.155 (3.937)     | 1.4:1<br>2:1                         | 1-3:16-13<br>1-3:15-14         | 5-7:12-9<br>5-7:11-10          | 6/S                |

### Single Core, Dual Ratio

| Part Number | Total Pins | Length inch. (mm) | Width inch. (mm) | Height inch. (mm) | Core(s) Ratio(s) Ratio ( $\pm 3\%$ ) | 1 <sup>st</sup> Core Terminals | 2 <sup>nd</sup> Core Terminals | Schematic/ Package |
|-------------|------------|-------------------|------------------|-------------------|--------------------------------------|--------------------------------|--------------------------------|--------------------|
| PM-DB2712   | 8          | 0.625 (15.875)    | 0.625 (15.875)   | 0.254 (6.4516)    | 1.4:1<br>2.1:1                       | 1-3:4-8<br>1-3:5-7             | ---                            | 1/D                |
| PM-DB2742L  | 8          | 0.63 (16.002)     | 0.63 (16.002)    | 0.155 (3.937)     | 1.4:1<br>2:1                         | 1-3:4-8<br>1-3:5-7             | ---                            | 1/L                |

## Coupling Transformers – Through Hole

### Dual Core, Dual Ratio

| Part Number | Total Pins | Length inch. (mm) | Width inch. (mm)  | Height inch. (mm) | Core(s) Ratio(s) Ratio (±3%) | 1 <sup>st</sup> Core Terminals | 2 <sup>nd</sup> Core Terminals | Schematic/ Package |
|-------------|------------|-------------------|-------------------|-------------------|------------------------------|--------------------------------|--------------------------------|--------------------|
| PM-DB2742D  | 16         | 0.93<br>(23.622)  | 0.63<br>(16.002)  | 0.155<br>(3.937)  | 1.4:1<br>2:1                 | 1-3:16-13<br>1-3:15-14         | 5-7:12-9<br>5-7:11-10          | 6/R                |
| PM-DB27403  | 18         | 0.625<br>(15.875) | 0.625<br>(15.875) | 0.25<br>(6.35)    | 1.4:1<br>2:1                 | 1-3:4-8<br>1-3:5-7             | 11-13:14-18<br>11-13:15-17     | 7/H                |
| PM-DB27423  | 18         | 0.625<br>(15.875) | 0.625<br>(15.875) | 0.28<br>(7.112)   | 1.4:1<br>2:1                 | 1-3:4-8<br>1-3:5-7             | 11-13:14-18<br>11-13:15-17     | 7/H                |
| PM-DB27413  | 18         | 0.625<br>(15.875) | 0.625<br>(15.875) | 0.32<br>(8.128)   | 1.4:1<br>2:1                 | 1-3:4-8<br>1-3:5-7             | 11-13:14-18<br>11-13:15-17     | 7/H                |

### Single Core, Single Ratio

| Part Number | Total Pins | Length inch. (mm) | Width inch. (mm) | Height inch. (mm) | Core(s) Ratio(s) Ratio (±3%) | 1 <sup>st</sup> Core Terminals | 2 <sup>nd</sup> Core Terminals | Schematic/ Package |
|-------------|------------|-------------------|------------------|-------------------|------------------------------|--------------------------------|--------------------------------|--------------------|
| PM-DB2705   | 4          | 0.35<br>(8.89)    | 0.5<br>(12.7)    | 0.25<br>(6.35)    | 1:1.41                       | 1-2:4-3                        | ---                            | 3/C                |
| PM-DB2705EX | 4          | 0.35<br>(8.89)    | 0.5<br>(12.7)    | 0.25<br>(6.35)    | 1:1.41                       | 1-2:3-4                        | ---                            | 5/C                |
| PM-DB2707   | 6          | 0.35<br>(8.89)    | 0.5<br>(12.7)    | 0.25<br>(6.35)    | 1:1.41                       | 1-5:6-2                        | ---                            | 2/B                |

### Single Core, Dual Ratio

| Part Number | Total Pins | Length inch. (mm) | Width inch. (mm)  | Height inch. (mm) | Core(s) Ratio(s) Ratio (±3%) | 1 <sup>st</sup> Core Terminals | 2 <sup>nd</sup> Core Terminals | Schematic/ Package |
|-------------|------------|-------------------|-------------------|-------------------|------------------------------|--------------------------------|--------------------------------|--------------------|
| PM-DB2702   | 8          | 0.625<br>(15.875) | 0.625<br>(15.875) | 0.25<br>(6.35)    | 1.4:1<br>2:1                 | 1-3:4-8<br>1-3:5-7             | ---                            | 1/A                |
| PM-DB2722   | 8          | 0.625<br>(15.875) | 0.625<br>(15.875) | 0.25<br>(6.35)    | 1.41:1<br>2:1                | 1-3:4-8<br>1-3:5-7             | ---                            | 1/A                |
| PM-DB2742   | 8          | 0.63<br>(16.002)  | 0.63<br>(16.002)  | 0.155<br>(3.937)  | 1.4:1<br>2:1                 | 1-3:4-8<br>1-3:5-7             | ---                            | 1/K                |

## Coupling Transformers – Unformed Leads

### Dual Core, Dual Ratio

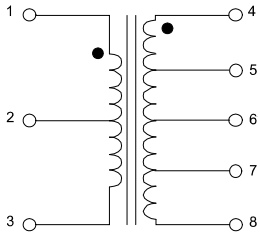
| Part Number | Total Pins | Length inch. (mm) | Width inch. (mm) | Height inch. (mm) | Core(s) Ratio(s) Ratio (±3%) | 1 <sup>st</sup> Core Terminals | 2 <sup>nd</sup> Core Terminals | Schematic/ Package |
|-------------|------------|-------------------|------------------|-------------------|------------------------------|--------------------------------|--------------------------------|--------------------|
| PM-DB2742T  | 16         | 0.93<br>(23.622)  | 0.43<br>(10.922) | 0.155<br>(3.937)  | 1.4:1<br>2:1                 | 1-3:16-13<br>1-3:15-14         | 5-7:12-9<br>5-7:11-10          | 6/T                |

### Single Core, Dual Ratio

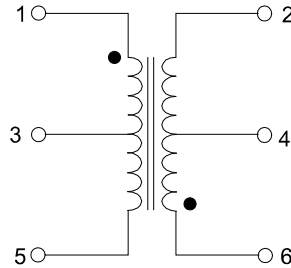
| Part Number | Total Pins | Length inch. (mm) | Width inch. (mm)  | Height inch. (mm) | Core(s) Ratio(s) Ratio (±3%) | 1 <sup>st</sup> Core Terminals | 2 <sup>nd</sup> Core Terminals | Schematic/ Package |
|-------------|------------|-------------------|-------------------|-------------------|------------------------------|--------------------------------|--------------------------------|--------------------|
| PM-DB2717   | 8          | 0.625<br>(15.875) | 0.625<br>(15.875) | 0.25<br>(6.35)    | 1.41:1<br>2:1                | 1-3:4-8<br>1-3:5-7             | ---                            | 1/E                |
| PM-DB2742M  | 8          | 0.43<br>(10.922)  | 0.43<br>(10.922)  | 0.155<br>(3.937)  | 1.4:1<br>2:1                 | 1-3:4-8<br>1-3:5-7             | ---                            | 1/M                |
| PM-DB2742N  | 8          | 0.63<br>(16.002)  | 0.63<br>(16.002)  | 0.155<br>(3.937)  | 1.4:1<br>2:1                 | 1-3:4-8<br>1-3:5-7             | ---                            | 1/N                |

**SCHEMATICS**

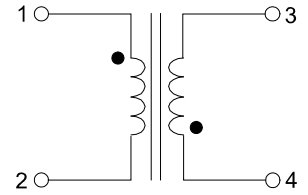
SCHEMATIC "1"



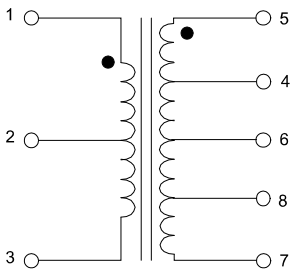
SCHEMATIC "2"



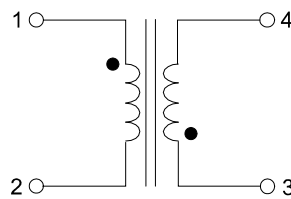
SCHEMATIC "3"



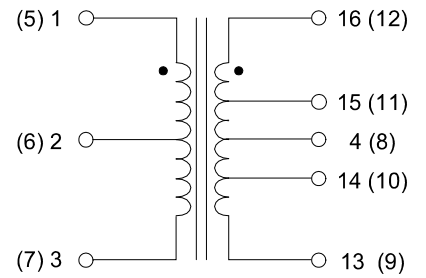
SCHEMATIC "4"



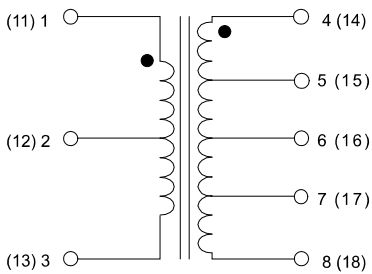
SCHEMATIC "5"



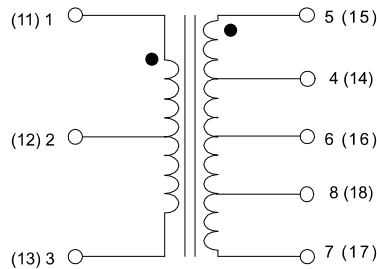
SCHEMATIC "6"



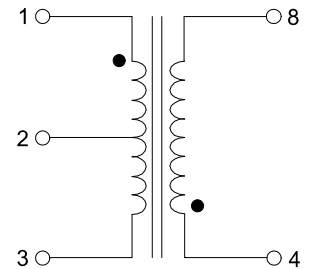
SCHEMATIC "7"



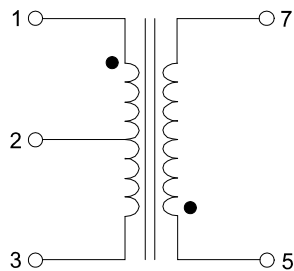
SCHEMATIC "8"



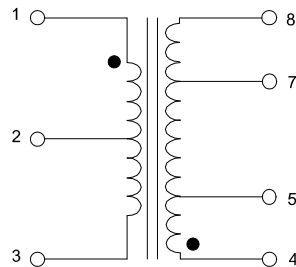
SCHEMATIC "9"



SCHEMATIC "10"

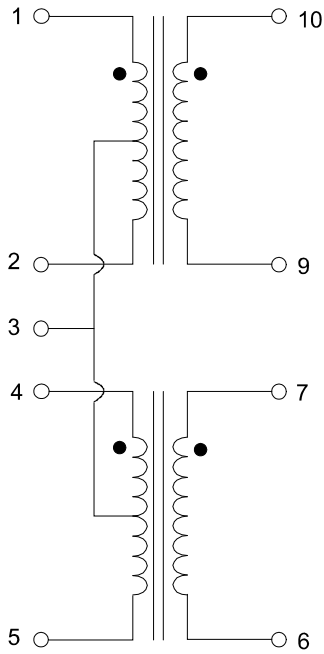


SCHEMATIC "11"

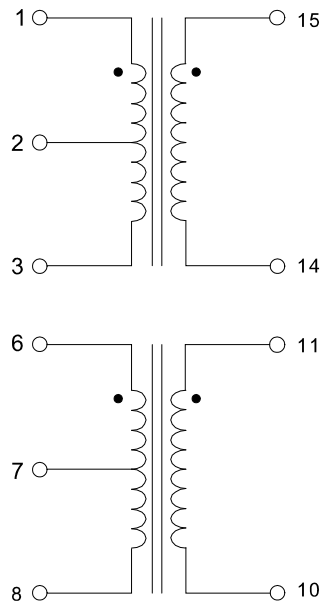


Specifications subject to change without notice.

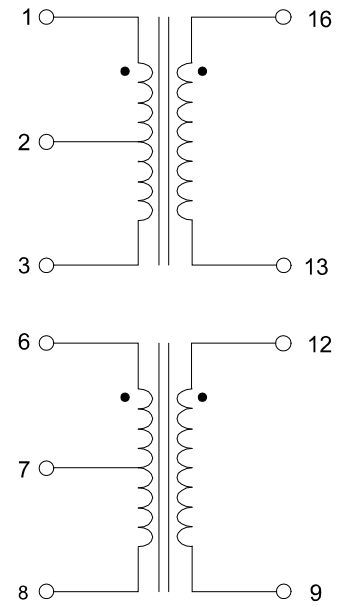
SCHEMATIC "12"



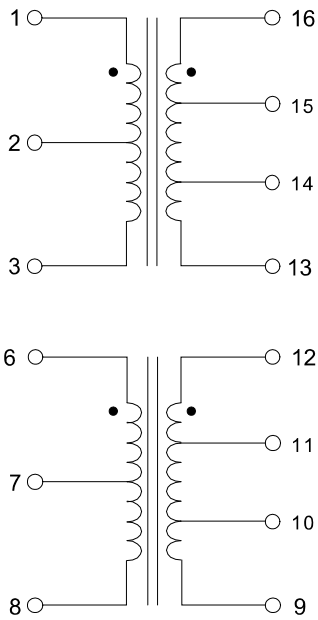
SCHEMATIC "13"



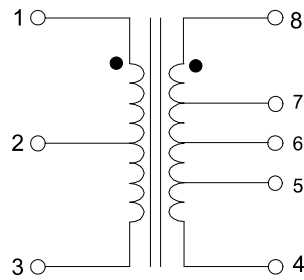
SCHEMATIC "14"



SCHEMATIC "15"

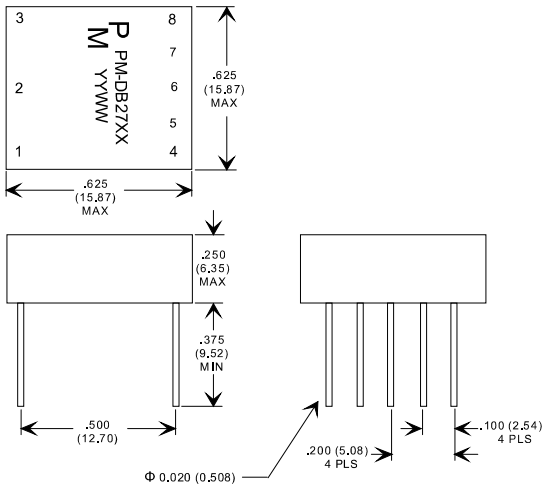


SCHEMATIC "16"

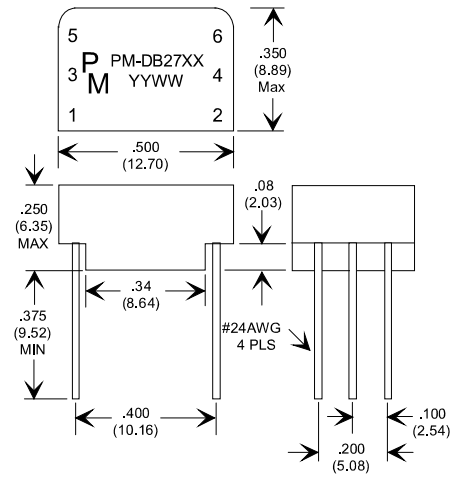


Specifications subject to change without notice.

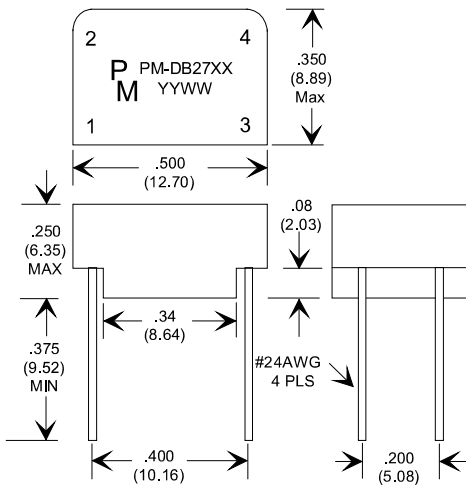
**FIGURE #A**



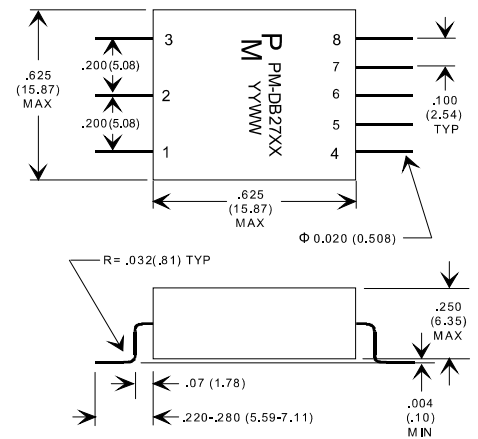
**FIGURE #B**



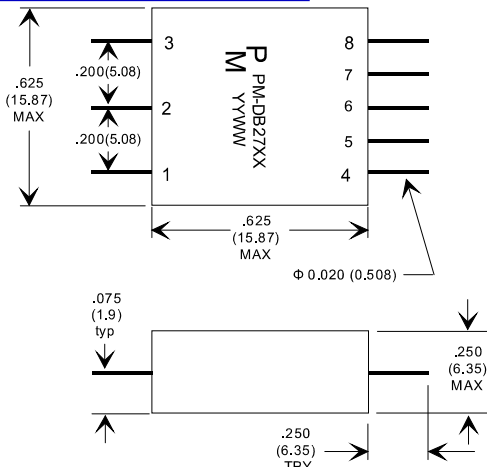
**FIGURE #C**



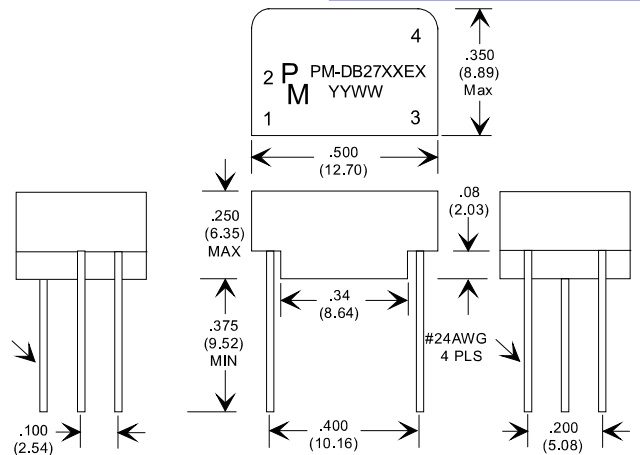
**FIGURE #D**



**FIGURE #E**



**FIGURE #F**

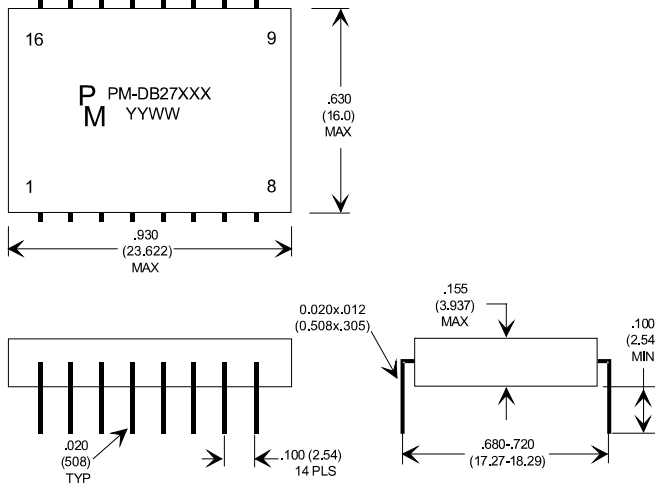


Specifications subject to change without notice.

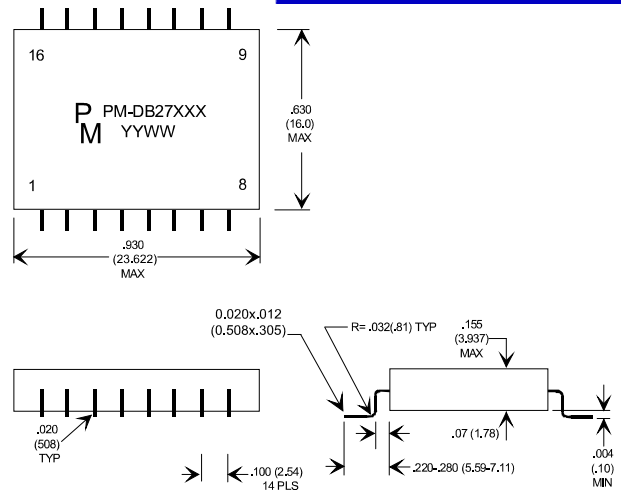




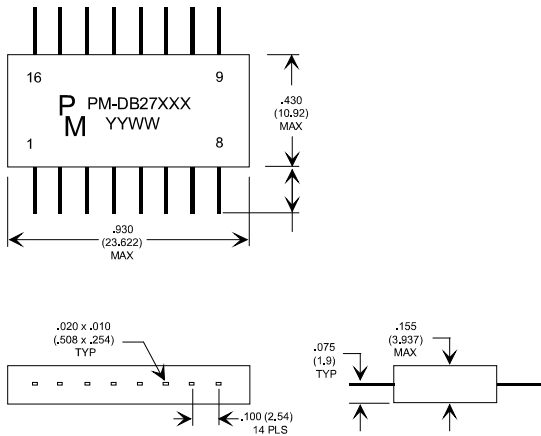
**FIGURE #R**



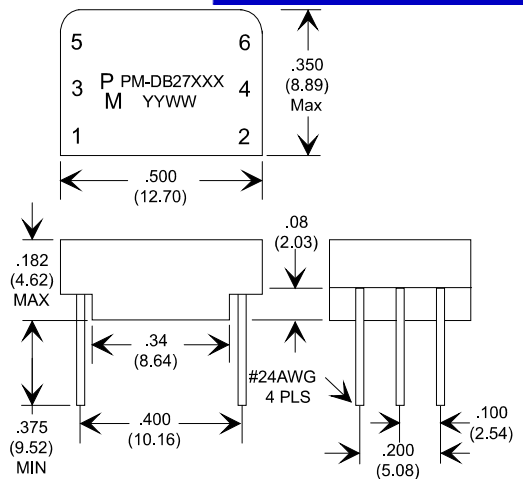
**FIGURE #S**



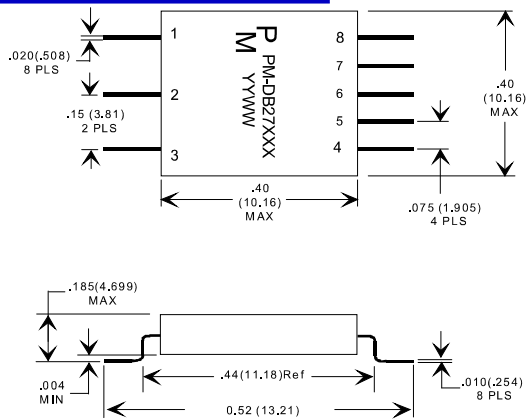
**FIGURE #T**



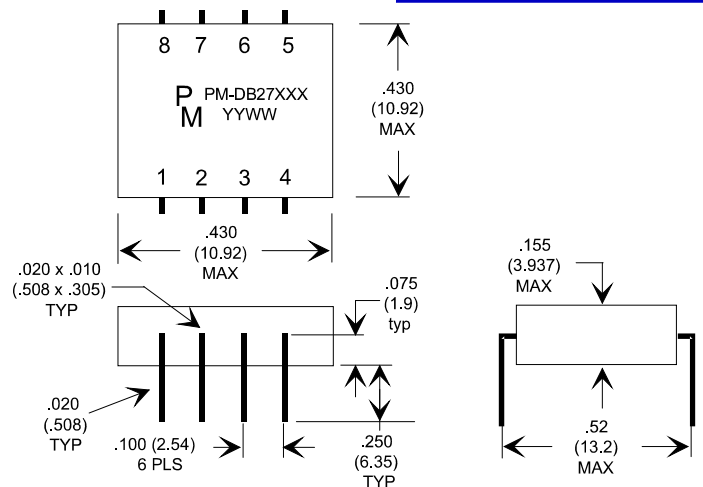
**FIGURE #U**



**FIGURE #V**



**FIGURE #W**



Pin Size =  $0.020 \times 0.010$  ( $0.508 \times 0.254$ )

Specifications subject to change without notice.

FIGURE # X

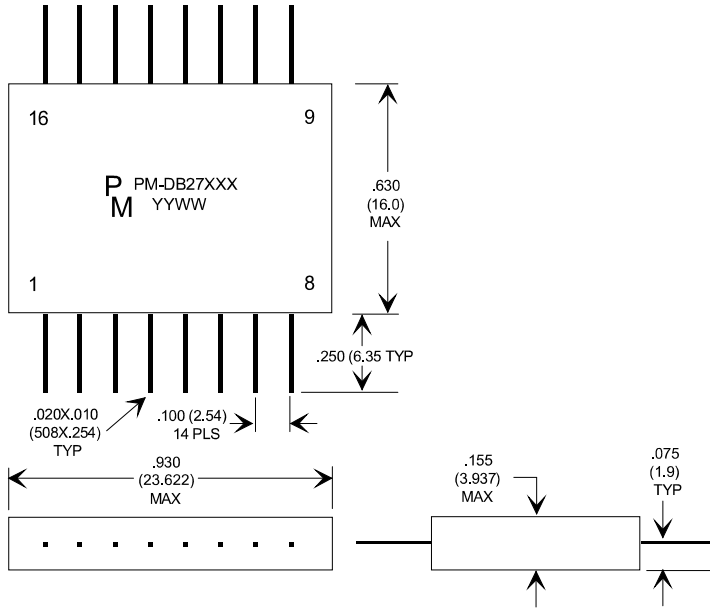


FIGURE # AA

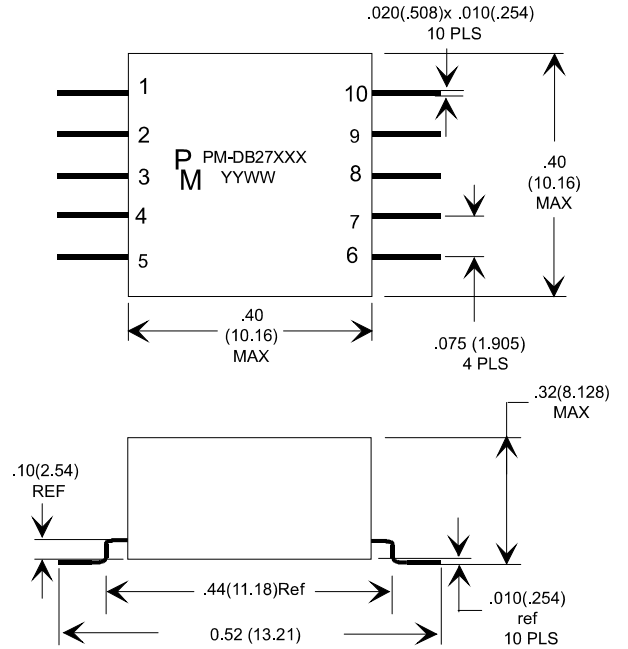
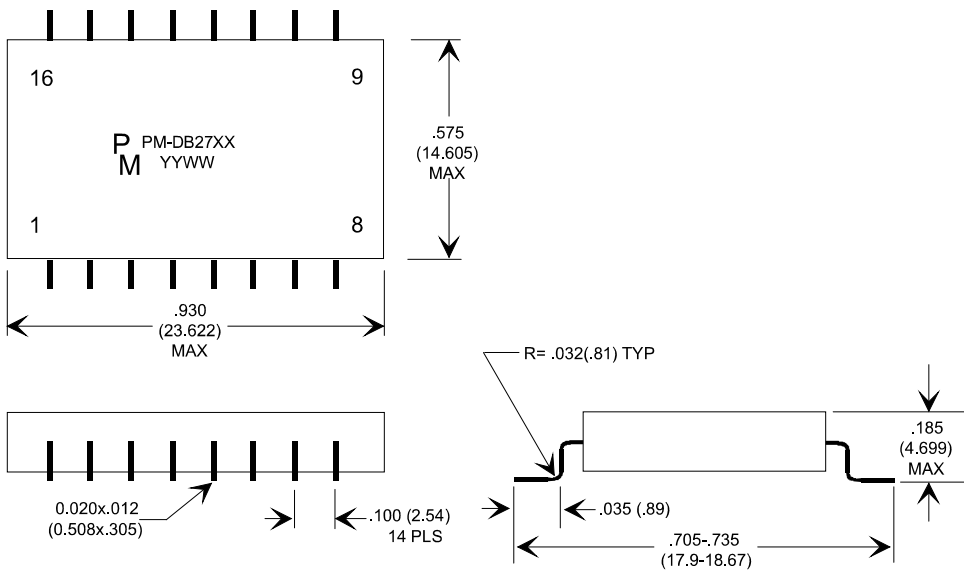
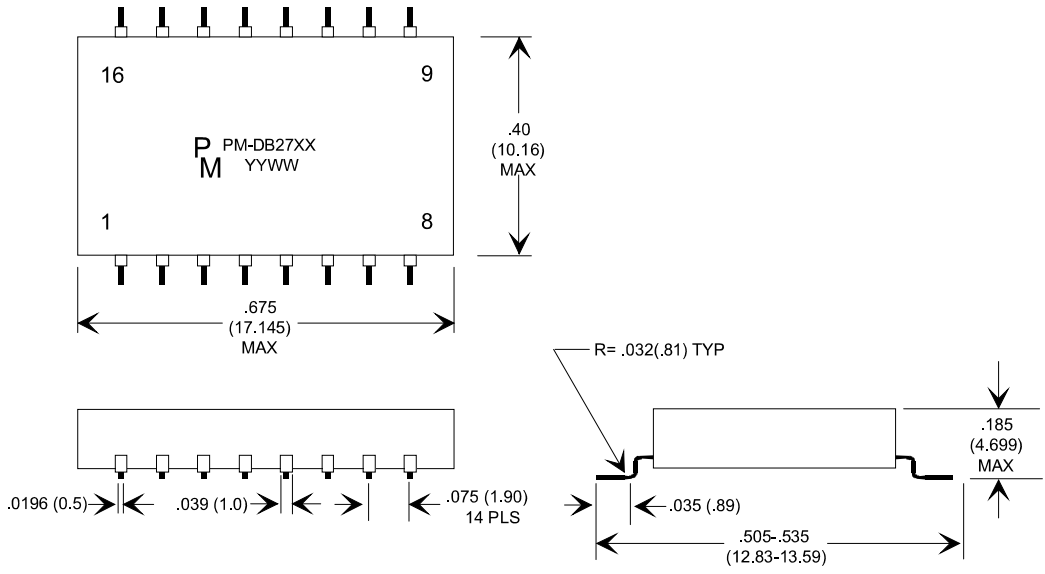


FIGURE # AB

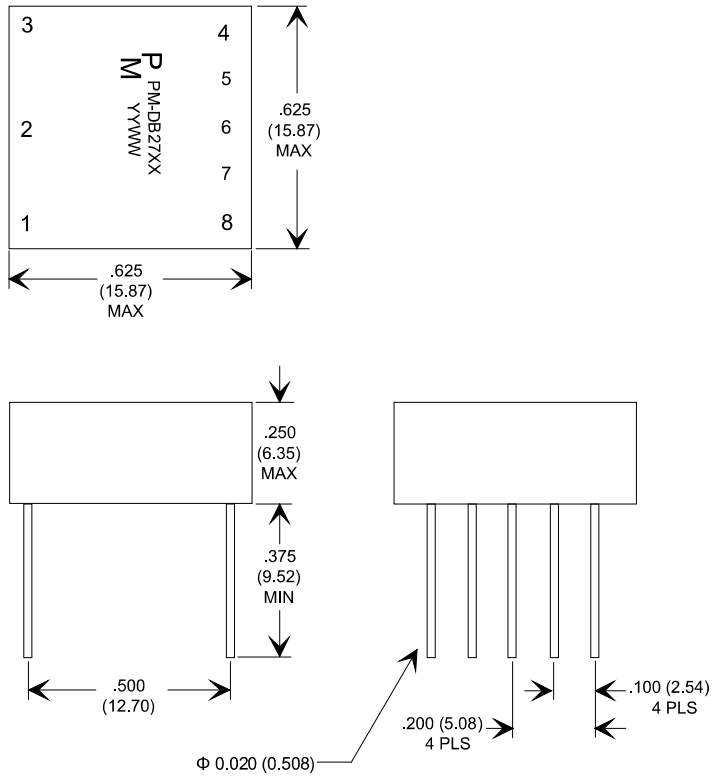


Specifications subject to change without notice.

**FIGURE #AC**



**FIGURE #AD**



Specifications subject to change without notice.

## Cross Reference Listing

| PREMIER PART# | X-REF NAME/PART# BETA |
|---------------|-----------------------|
| PM-DB2701     | B-2202                |
| PM-DB2702     | B-2203                |
| PM-DB2703     | B-2204                |
| PM-DB2704     | B-2205                |
| PM-DB2705     | B-2206                |
| PM-DB2706     | B-2207                |
| PM-DB2707     | B-2208                |
| PM-DB2708     | B-2209                |
| PM-DB2709     | B-2210                |
| PM-DB2710     | B-2385                |
| PM-DB2711     | B-2386                |
| PM-DB2712     | B-2387                |
| PM-DB2713     | B-2388                |
| PM-DB2714     | B-2389                |
| PM-DB2715     | B-2390                |
| PM-DB2716     | B-2342                |
| PM-DB2717     | B-2343                |
| PM-DB2718     | B-2344                |
| PM-DB2719     | B-2345                |
| PM-DB2720     | B-2391                |
| PM-DB2721     | B-3221                |
| PM-DB2722     | B-3222                |
| PM-DB2723     | B-3223                |
| PM-DB2724     | B-3224                |
| PM-DB2725     | B-3225                |
| PM-DB2725R    | B-3067                |
| PM-DB2726     | B-3226                |
| PM-DB2727     | B-3227                |
| PM-DB2728     | B-3228                |
| PM-DB2729     | B-3229                |
| PM-DB2730     | B-3230                |
| PM-DB2731     | B-3231                |
|               |                       |
| PM-DB2775     | DSS-3333              |
| PM-DB2776     | DSS-3305              |
| PM-DB2777     | DSS-3312              |
| PM-DB2792S    | MPL-2233              |

| PREMIER PART# | X-REF NAME/PART# BETA |
|---------------|-----------------------|
| PM-DB2745L    | LPB-5015              |
| PM-DB2741L    | LPB-5003              |
| PM-DB2742L    | LPB-5002              |
| PM-DB2743L    | LPB-5004              |
| PM-DB2744L    | LPB-5006              |
|               |                       |
| PM-DB2745M    | LPB-5014              |
| PM-DB2741M    | LPB-5010              |
| PM-DB2742M    | LPB-5009              |
| PM-DB2743M    | LPB-5011              |
| PM-DB2744M    | LPB-5013              |
|               |                       |
| PM-DB2742D    | TLP-1215              |
| PM-DB2743D    | TLP-1212              |
| PM-DB2745D    | TLP-1205              |
|               |                       |
| PM-DB2742S    | TLP-1015              |
| PM-DB2743S    | TLP-1012              |
| PM-DB2745S    | TLP-1005              |
|               |                       |
| PM-DB2742T    | TLP-1115              |
| PM-DB2743T    | TLP-1112              |
| PM-DB2745T    | TLP-1105              |
|               |                       |
| PM-DB2761     | TSM-2033              |
| PM-DB2762     | TSM-2005              |
| PM-DB2763     | TSM-2012              |
| PM-DB2764     | TSM-2015              |
| PM-DB2765     | TSM-2233              |
| PM-DB2766     | TSM-2205              |
| PM-DB2767     | TSM-2212              |
| PM-DB2768     | TSM-2215              |
| PM-DB2745L    | LPB-5015              |

## Revision History

| Revision | Date     | Description of Change   |
|----------|----------|---|
| Rev. B   | 12/16/08 | Add PM-DB2785S, PM-DB2790S, PM-DB2791S, PM-DB2795S, PM-DB2798S, PM-DB27100, PM-DB27101, PM-DB27200, PM-DB27255  |
| Rev. C   | 11/12/10 | Add PM-DB2761, PM-DB2762, PM-DB2763, PM-DB3764, PM-DB2765, PM-DB2766, PM-DB2767 & PM-DB2768 part numbers, schematic and physical dimensions. Updated cross ref. list. Reformatted various tables.   |
| Rev. D   | 04/21/11 | Typographical error in physical dimensions for Figure #V corrected.   |
| Rev. E   | 09/09/11 | Repositioned dimension of "S" package closer to the location of the measurement.  |
| Rev. F   | 11/19/12 | Clarified peak body temperature for RoHS and Non-RoHS parts. Add PM-DB27421, PM-DB27422, PM-DB27423, PM-DB27424, PM-DB27425, PM-DB27426, PM-DB27427, PM-DB27428, PM-DB2750, PM-DB2751, PM-DB2752, PM-DB2753, PM-DB2754, PM-DB2769, PM-DB2770, PM-DB2775, PM-DB2776, PM-DB2777.<br>Add Schematics 13, 14, 15.<br>Remove Figure #Y, Add Figures #AA, #AB, #AC |
| Rev. G   | 04/05/13 | Add PM-DB2725R, PM-DB2792S Schematic #16, Figure #AD  |
| Rev. H   | 06/24/13 | Add PM-DB2756 to page 7.  |
| Rev. J   | 02/14/14 | Corrected typographical errors on package Figures #D, #E, #H, #K, #L, #R, #S, #T, #W, #X, #AB, #AC  |
| Rev. K   | 06/03/14 | Re-organized transformer data presentation into new format. Other than organization, no changes have been made from previous version.   |
| Rev. L   | 07/24/14 | Correct typo in PM-DB2725EX transformer ratio.  |